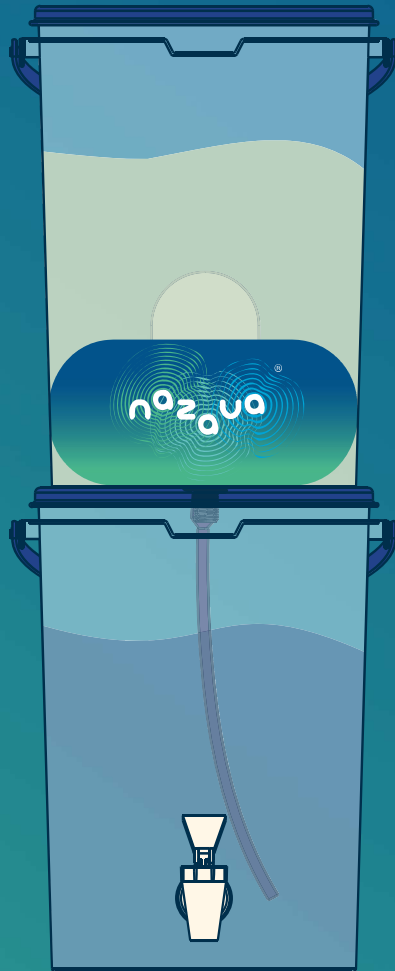




## User Instructions Water Filter



# Nazava One

good water, good life



Easy



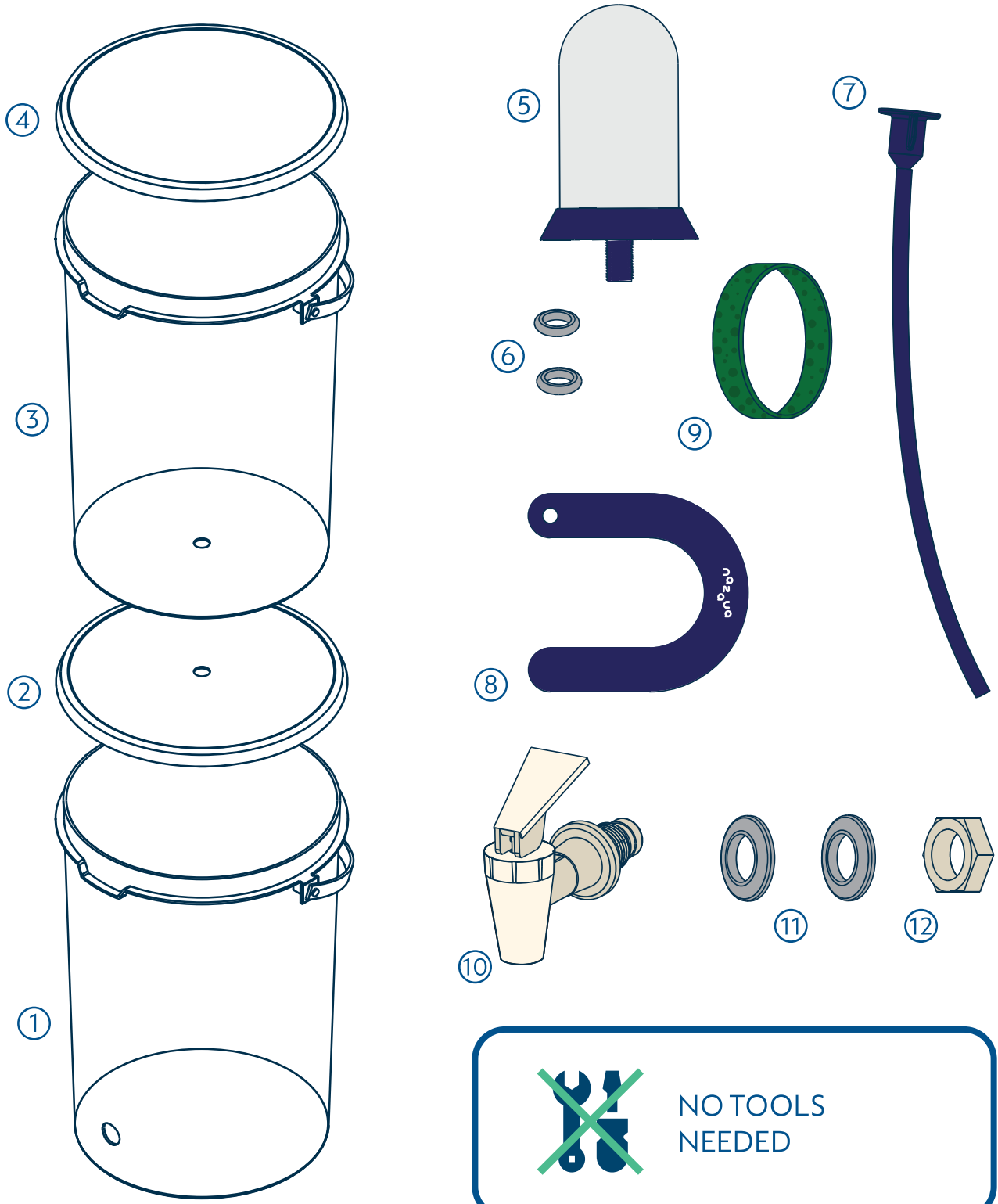
Affordable



Healthy

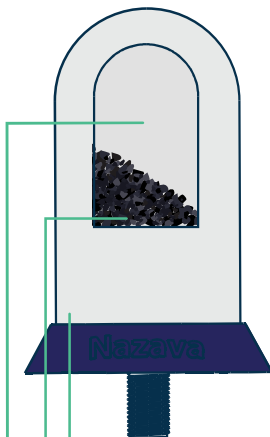
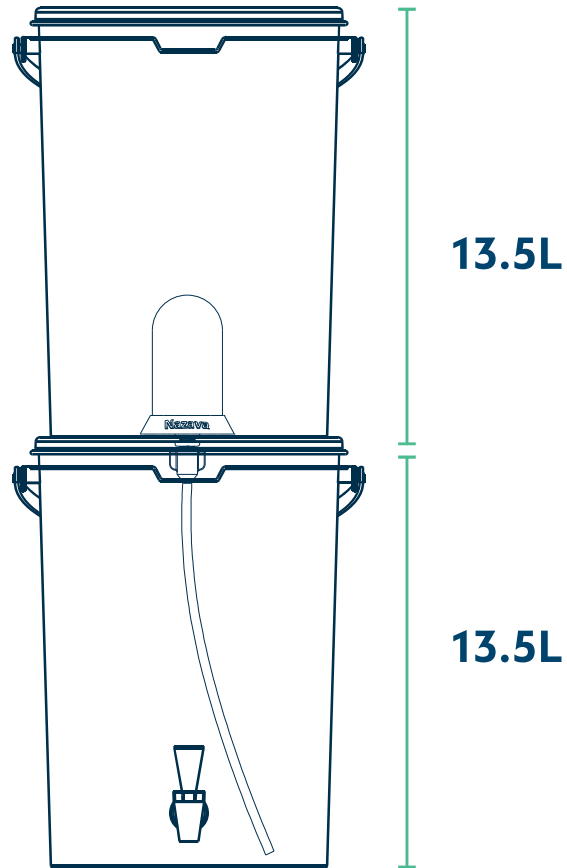


# 1. COMPONENTS



- ① 1x Lower Container
- ② 1x Lid Lower Container
- ③ 1x Upper Container
- ④ 1x Lid Upper Container
- ⑤ 1x Ceramic Filter Element
- ⑥ 2x Seals for the Ceramic Filter
- ⑦ 1x Hose
- ⑧ 1x Indicator
- ⑨ 1x Sponge
- ⑩ 1x Tap
- ⑪ 2x Seals for tap
- ⑫ 1x Nut

## 2. SPECIFICATIONS



### • **Ceramic**

Pores with a size of 0.4 micron block bacteria.

### • **Activated Carbon**

Improves taste, color and smell; absorbs chemicals.

### • **Nano Silver**

Mixed with the ceramic to kill bacteria.



Capacity  
**7000 L**



Lifetime  
**Up to  
3 year\***



Filtration  
Speed  
**2-3 L/hour**

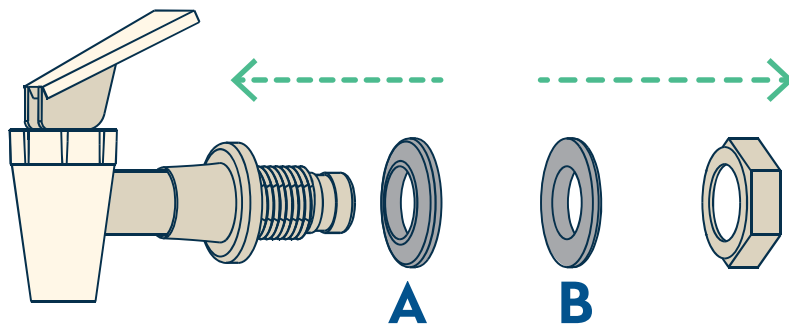
This product has been tested as part of the WHO International Evaluation Scheme for Household Water Treatment Technologies.

\*Depending on the water quality

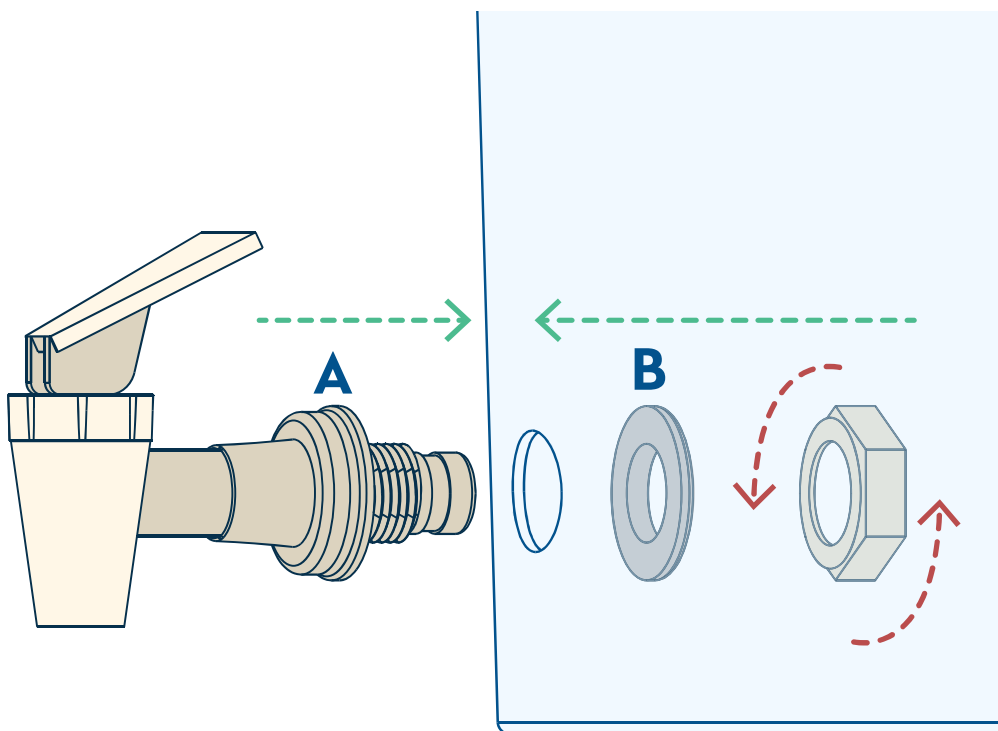
### 3. INSTALLATION 1/3



1. Wash your hand with soap. Clean all plastic elements of the Nazava One.

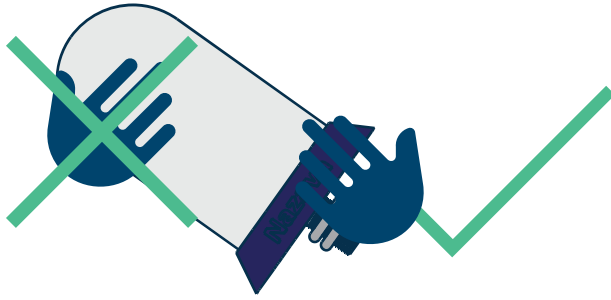


2. Remove the nut and seal B attached to the tap. Leave seal A on the tap.

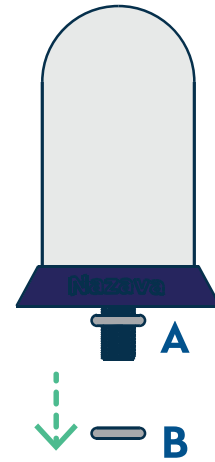


3. Install the tap and seal A from the outside of the lower container into the hole.  
Install seal B and tighten the nut from inside the container  
by turning the nut clockwise. Tighten firmly.

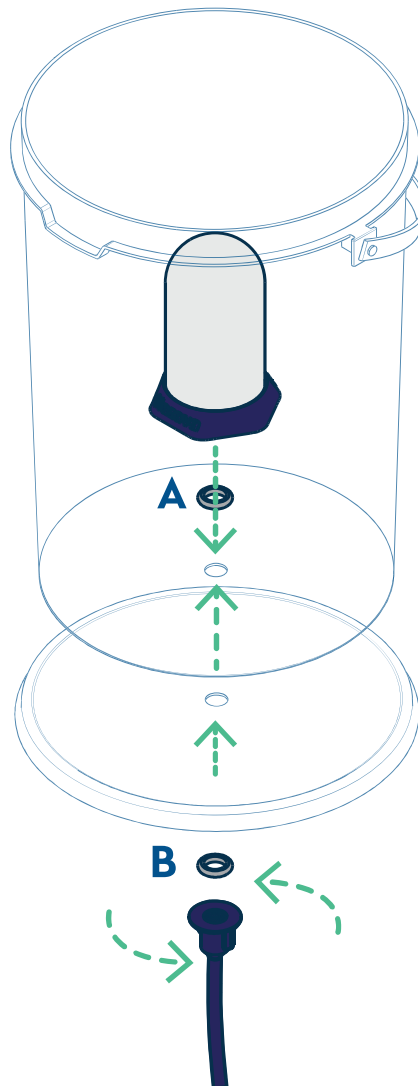
### 3. INSTALLATION 2/3



Do not touch the ceramic part.  
Only touch the plastic part.

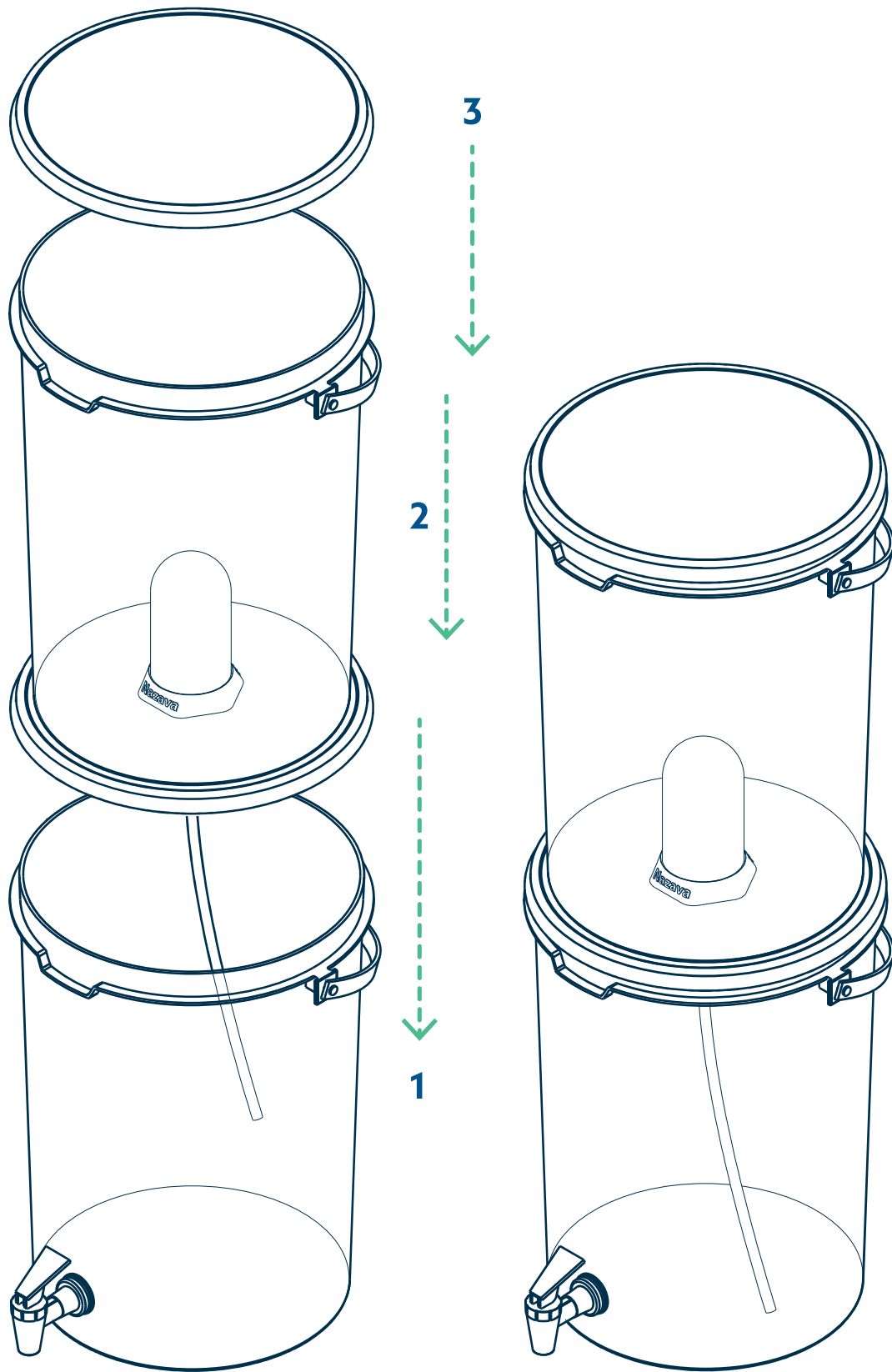


4. Remove seal B attached to the ceramic filter. Leave seal A on the filter.



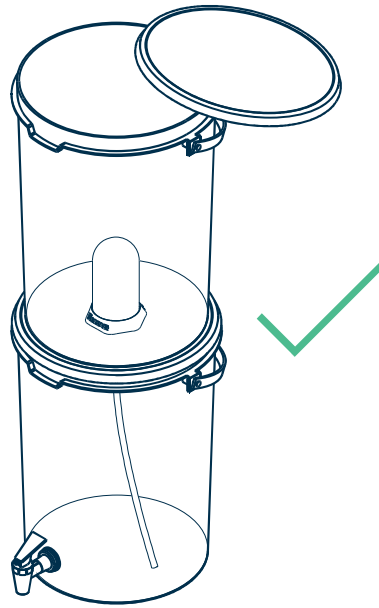
5. Install the ceramic filter and seal A into the hole inside the upper container. Insert the lower part of the ceramic filter in the hole of the lower lid. Install seal B and tighten the hose at the bottom of the container by turning the nut clockwise. Tighten firmly.

### 3. INSTALLATION 3/3

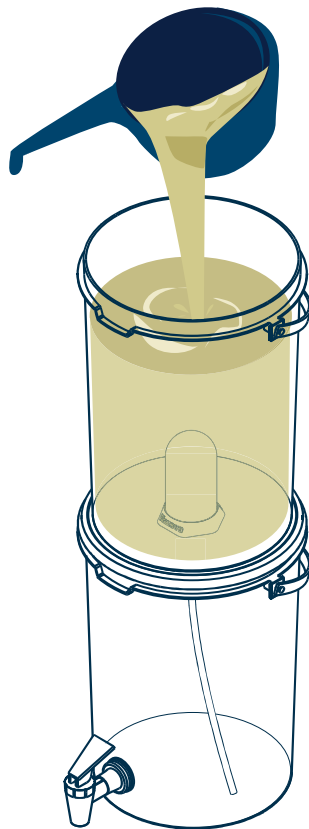


6. Place the upper container with the ceramic filter on the lower container.  
Cover the container with the lid.

## 4. FIRST USE 1/2

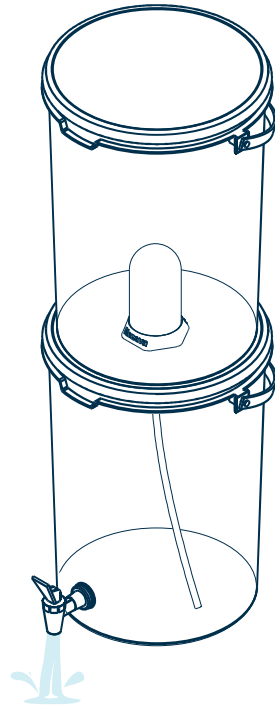


1. Make sure all parts are correctly installed.

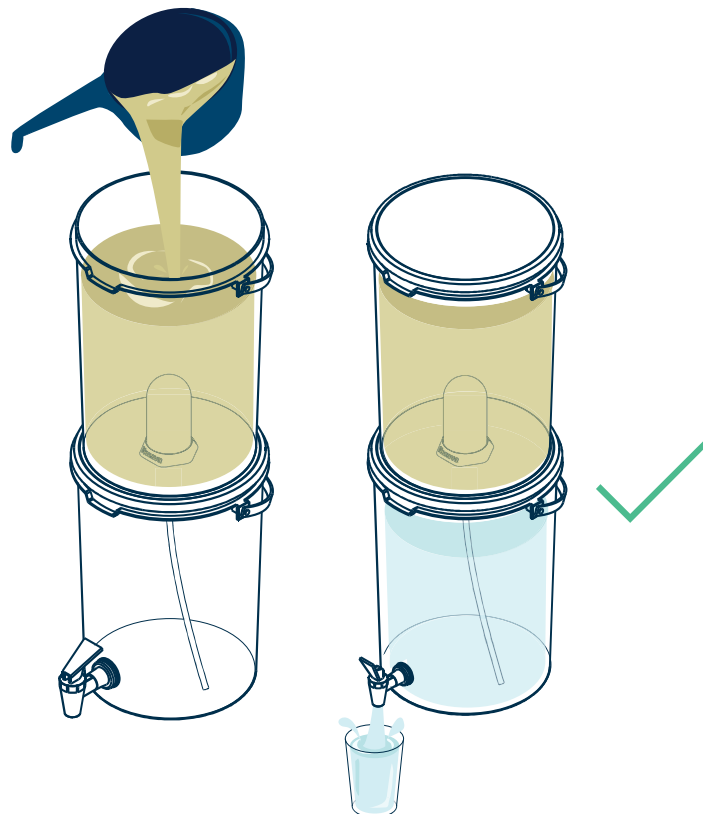


2. Pour RIVER WATER, RAIN WATER, TAP WATER or WELL WATER into the upper container until full.

## 4. FIRST USE 2/2



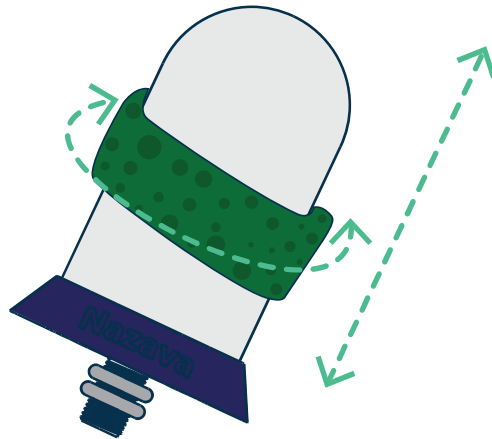
3. Throw away the first 13.5 litres of filtered water or when the lower container is full.



4. Refill the upper container. Wait for the water to filter into the lower container. After that, the water is safe to drink.



## 5. MAINTENANCE



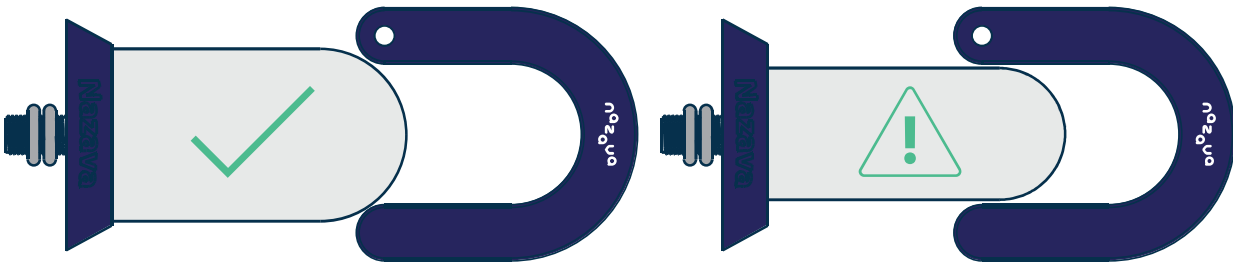
### Ceramic Filter Maintenance



When the filter is clogged,  
scrub it with a sponge  
under running water.



Do not use detergent  
or soap.



### Ceramic Filter Replacement

**< 5 cm**

**> 3 years\***

The ceramic filter element should be replaced  
when the diameter is less than 5 cm, or after 3 years of use.

\*Depending on the water quality

## 6. TIPS

### To speed up the filtration process

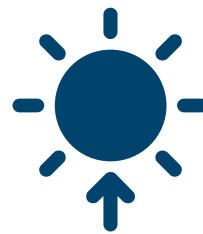


A. Fill the upper container to the rim with water.



B. Install the hose, it helps to increase filtration speed with 50%.

Fill your Nazava One in the afternoon; the next morning you will have enough water for your family.



Clean water container when necessary.



No electricity



No boiling



Food grade palstic



Tested in over 30 laboratories



WhatsApp



Instruction Video for Installation & Maintenance



Laboratory Test Results



Activate your warranty here:



\*Only valid for manufacturing faults



# Just filter it.

Produced by: Nazava – PT. Holland for Water

Contact us for more information or questions:

[Info@nazava.com](mailto:Info@nazava.com)

+62-22-66-49061

[www.nazava.com](http://www.nazava.com)

Made in Indonesia

 @Nazava

 @NazavaWater

 @NazavaWater

 Nazava Water Filters

 Customer Service  
**(+62) 813 60862522**