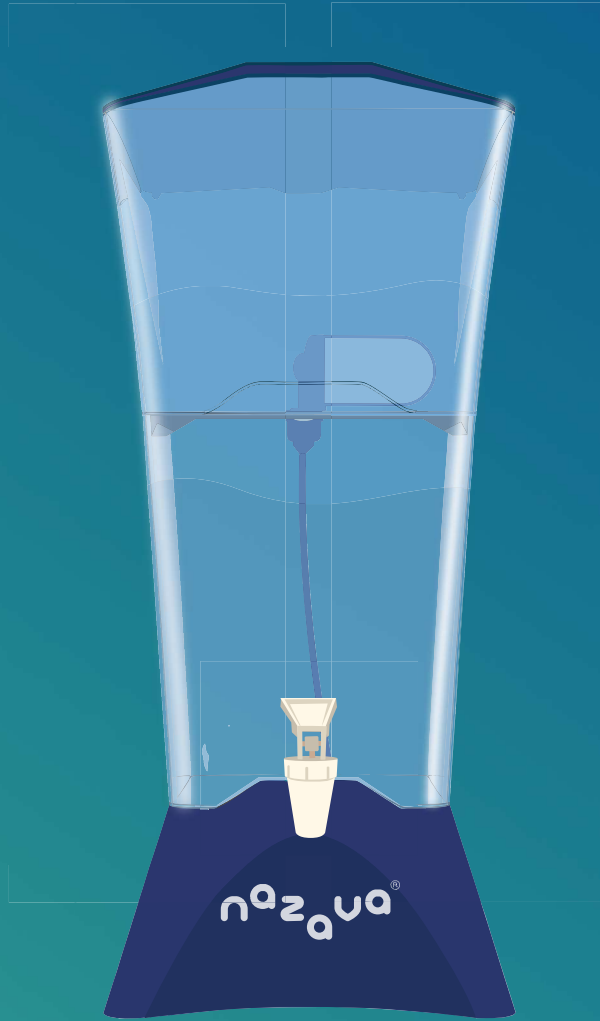




User Instructions Water Filter



Riam[®]
good water, good life



Easy



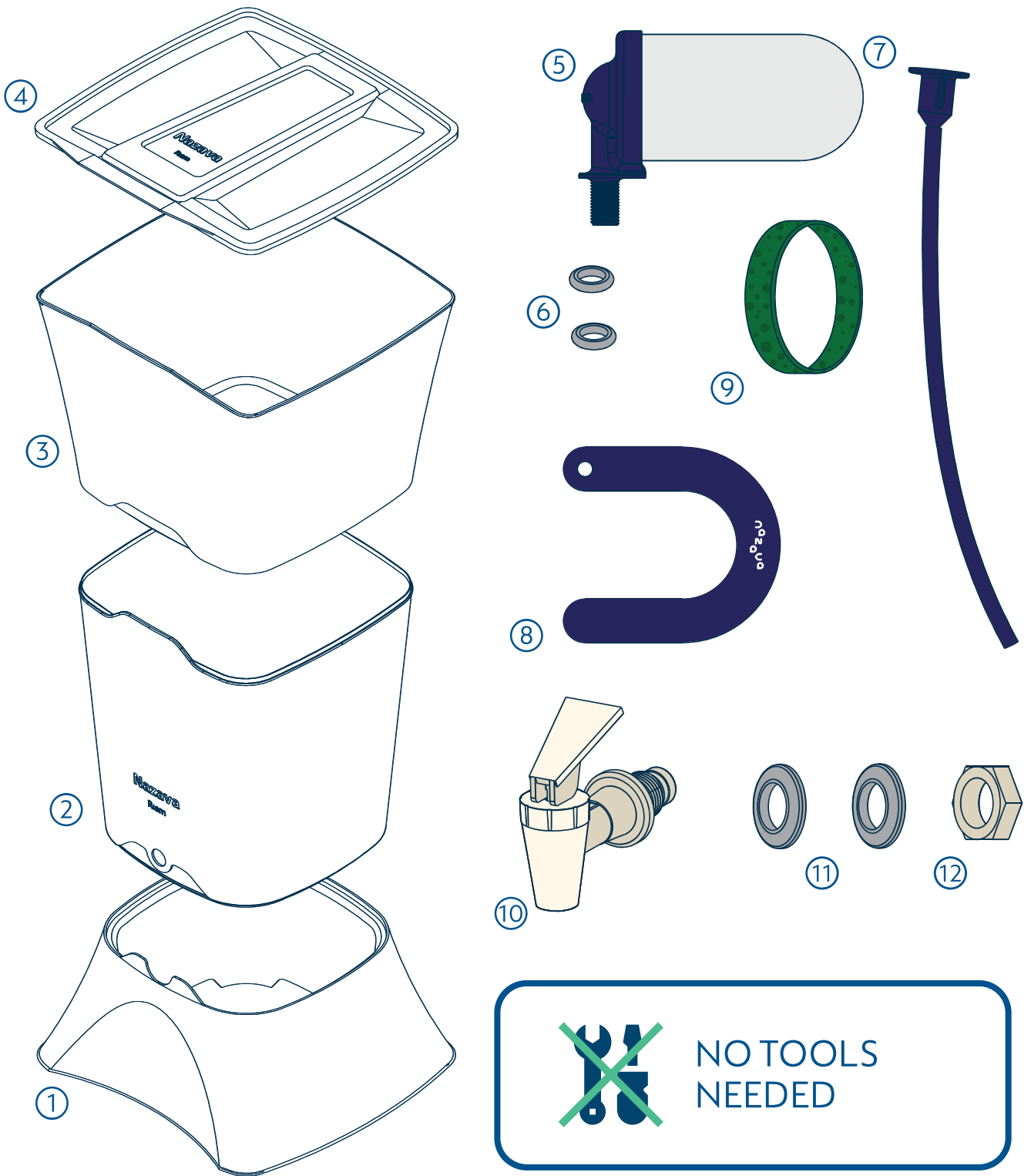
Affordable



Healthy



1. COMPONENTS



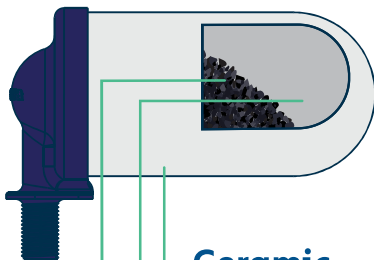
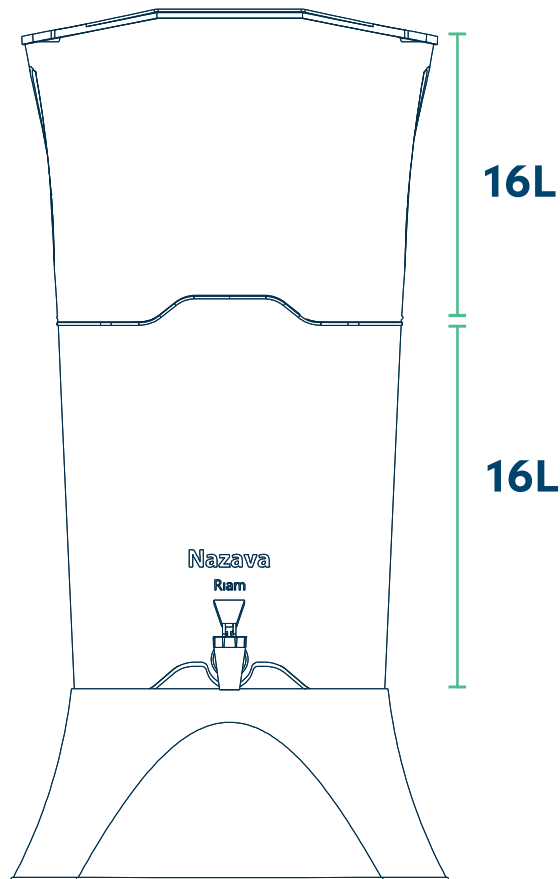
- ① 1x Stand
- ② 1x Lower Container
- ③ 1x Upper Container
- ④ 1x Lid

- ⑤ 1x Ceramic Filter Element
- ⑥ 2x Seals for Ceramic Filter
- ⑧ 1x Indicator
- ⑨ 1x Sponge

- ⑩ 1x Tap
- ⑪ 2x Seals for Tap
- ⑫ 1x Nut

 NO TOOLS NEEDED

2. SPECIFICATIONS



• **Ceramic**

Pores with a size of 0.4 micron block bacteria.

• **Nano Silver**

Mixed with the ceramic to kill bacteria.

• **Activated Carbon**

Improves taste, color and smell; absorbs chemicals.



Capacity
7000 L



Lifetime
**Up to
3 years***



Filtration
Speed
2-3 L/hour

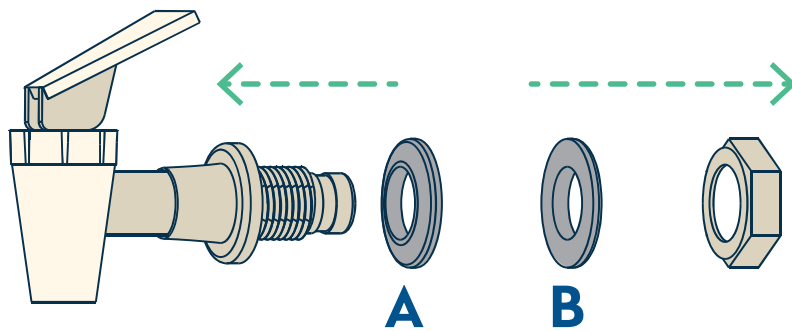
This product has been tested as part of the WHO International Evaluation Scheme for Household Water Treatment Technologies.

*Depending on the water quality

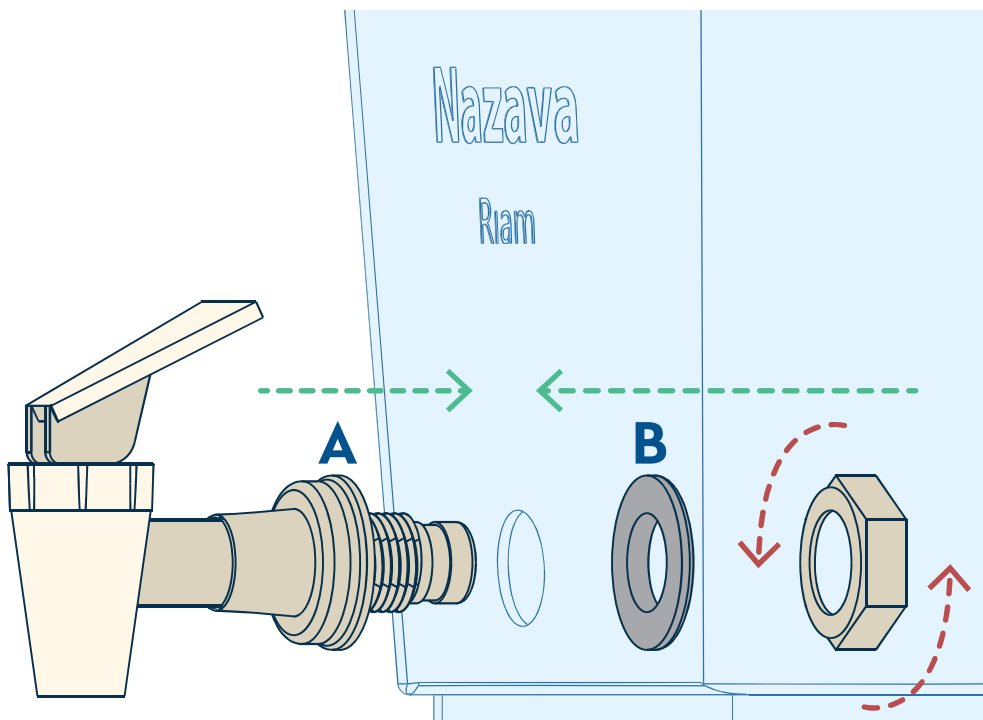
3. INSTALLATION 1/3



1. Wash your hands with soap. Clean all plastic elements of the Riam.

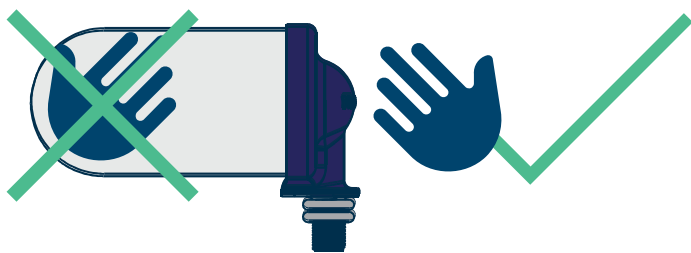


2. Remove the nut and seal B attached to the tap. Leave seal A on the tap.

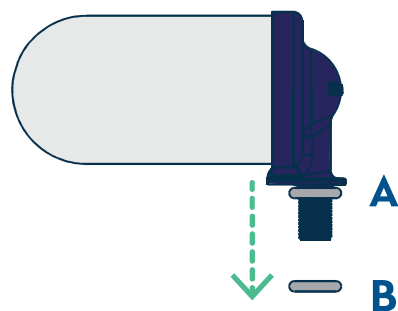


3. Install the tap and seal A from the outside of the lower container into the hole.
Install seal B and tighten the nut from inside the container
by turning the nut clockwise. Tighten firmly.

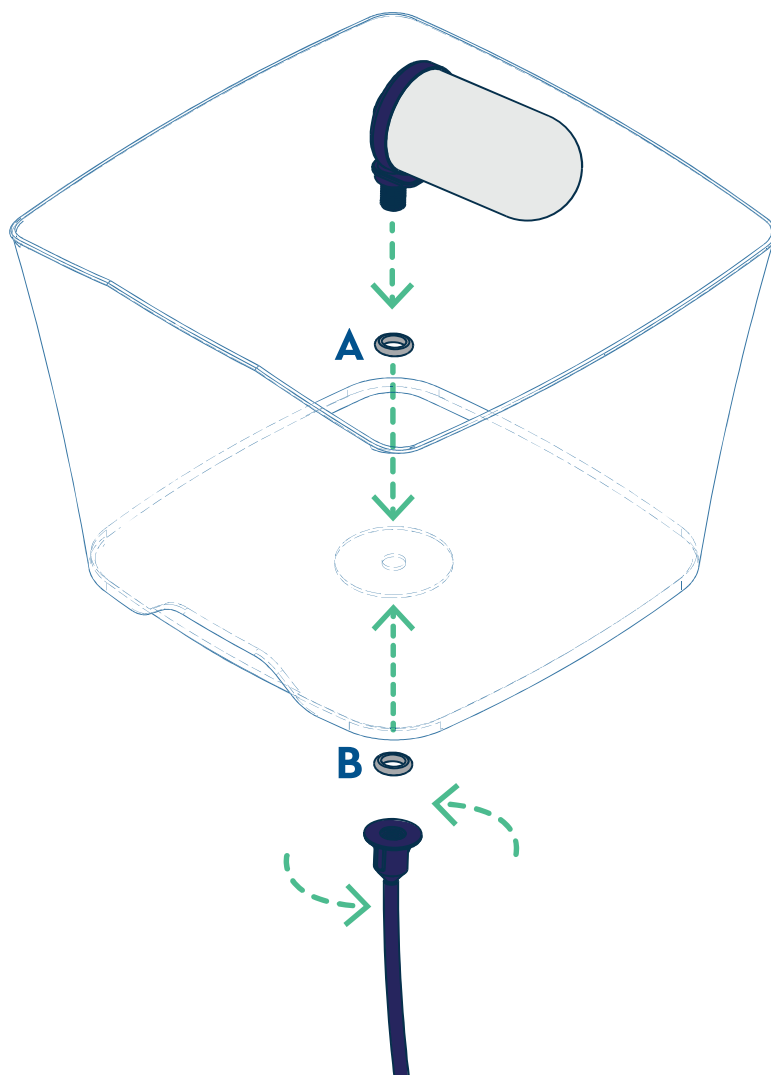
3. INSTALLATION 2/3



Do not touch the ceramic part.
Only touch the plastic part.

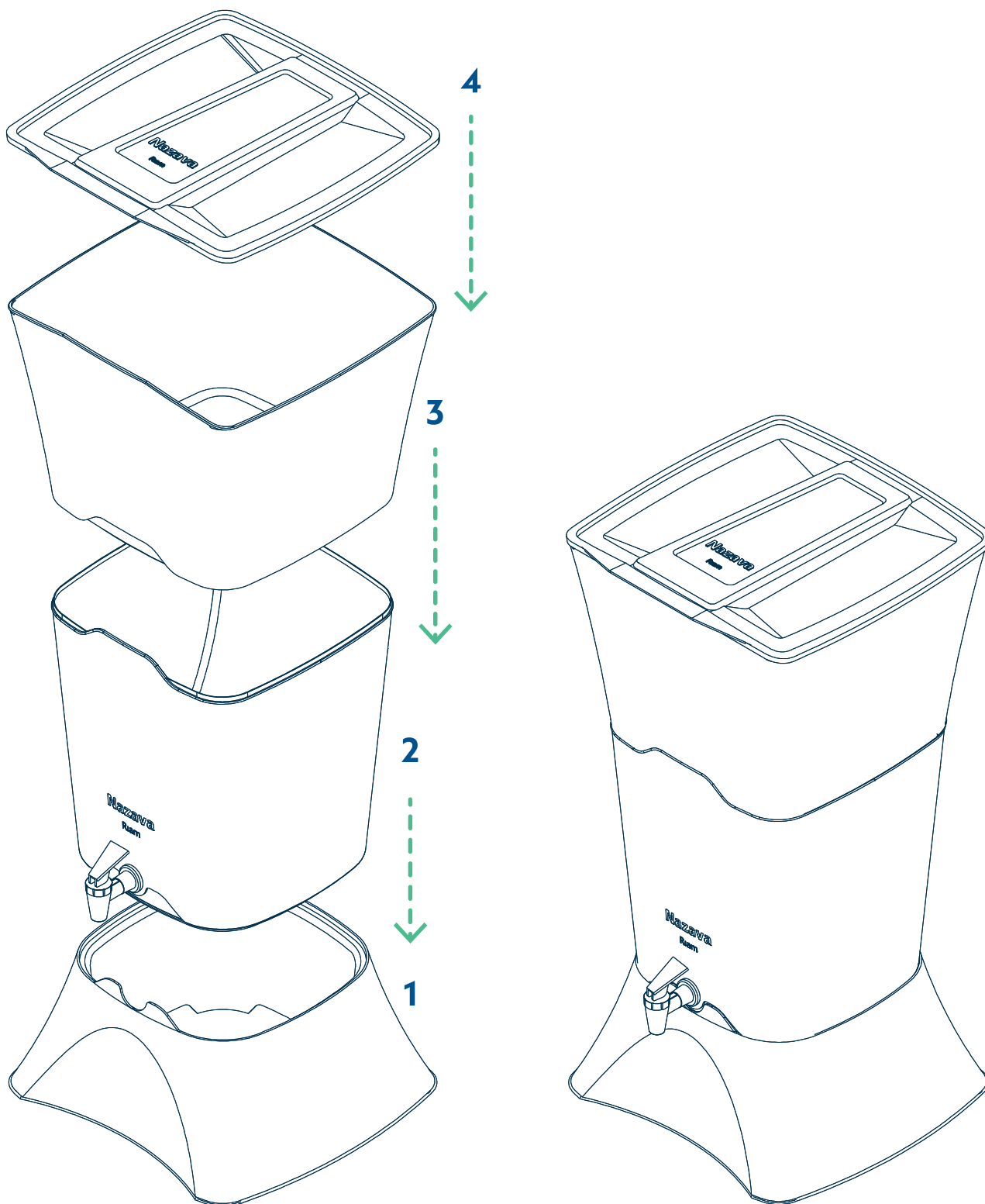


4. Remove seal B attached to the ceramic filter. Leave seal A on the filter.



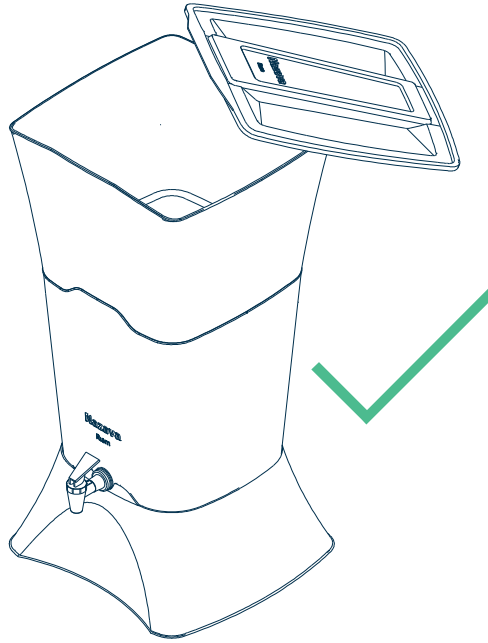
5. Install the ceramic filter and seal A into the hole inside the upper container. Install seal B and tighten the hose at the bottom of the container by turning the nut clockwise. Tighten firmly.

3. INSTALLATION 3/3

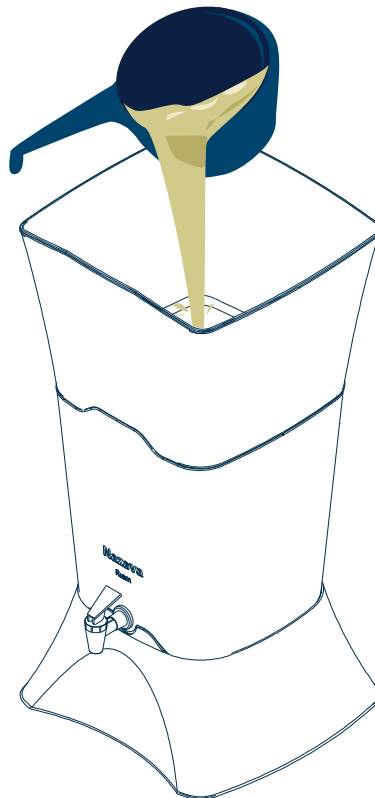


6. Place the lower container on the stand, place the upper container on top of the low container. Cover the container with the lid.

4. FIRST USE 1/2

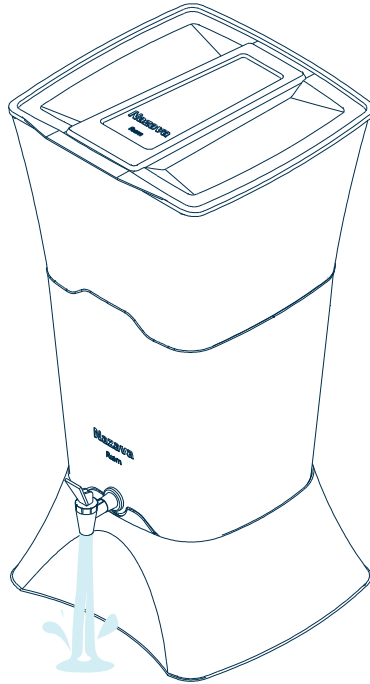


1. Make sure all parts are correctly installed.

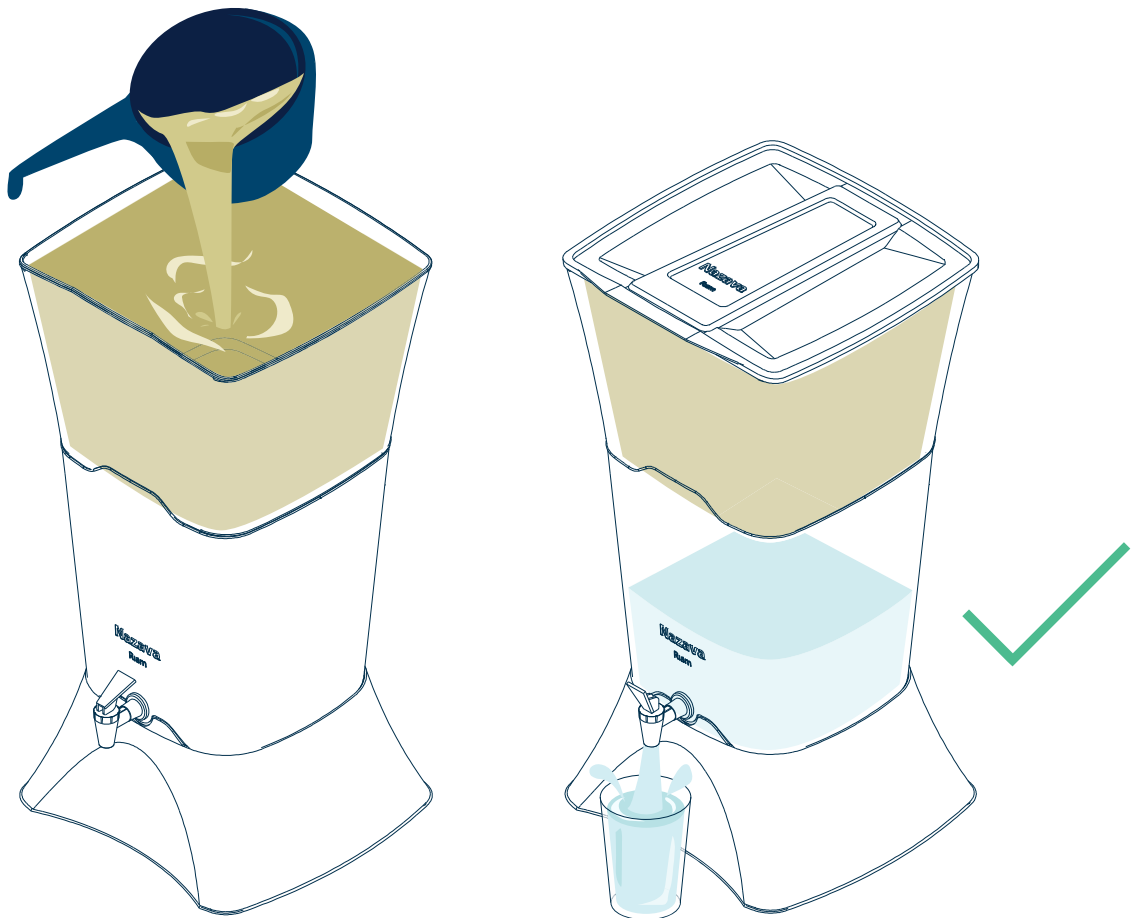


2. Pour RIVER WATER, RAIN WATER, TAP WATER or WELL WATER into the upper container until full.

4. FIRST USE 2/2

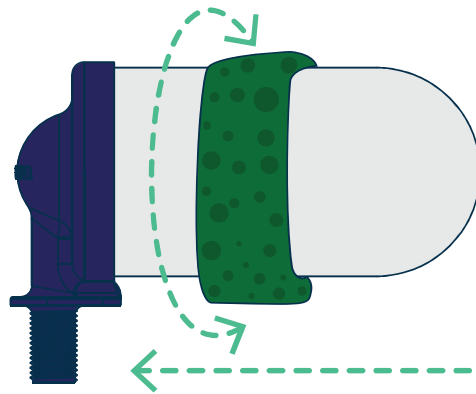


3. Throw away the first 15 litres of filtered water or when the lower container is full.



4. Refill the upper container. Wait for the water to filter into the lower container.
After that, the water is safe to drink.

5. MAINTENANCE



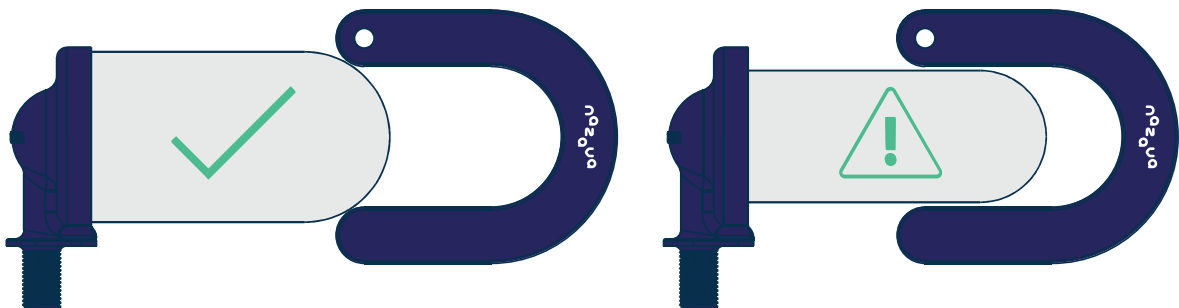
Ceramic Filter Maintenance



When the filter is clogged,
scrub it with a sponge
under running water.



Do not use detergent
or soap.



Ceramic Filter Replacement

< 5 cm

> 3 years*

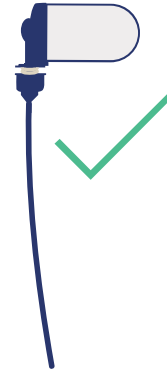
The ceramic filter element should be replaced
when the diameter is less than 5 cm, or after 3 years of use.

*Depending on the water quality

To speed the filtration process

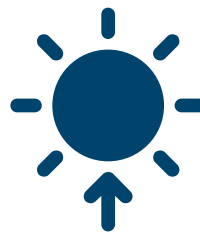


A. Fill the upper container to the rim with water.



B. Install the hose, it helps to increase filtration speed with 50%.

Fill your Riam in the afternoon, the next morning you will have enough water for your family.



Clean water container when necessary.



No electricity



No boiling



Food grade plastic



Tested in over 30 laboratories



WhatsApp



Instruction Video for Installation & Maintenance



Laboratory Test Result



Activate your warranty here:



*Only valid for manufacturing faults



Just filter it.

Produced by: Nazava – PT. Holland for Water

Contact us for more information or questions:

Info@nazava.com

+62-22-66-49061

www.nazava.com

Made in Indonesia

 @Nazava

 @NazavaWater

 @NazavaWater

 Nazava Water Filters

 Customer Service
(+62) 813 60862522